

10W LED FLOOD LIGHTS

Available in AC and DC models, the uses for this floodlight are wide and varied.

These lights are perfect for lighting up signs, trade vehicle interiors, caravans, boats and even as camping lights.

FEATURES

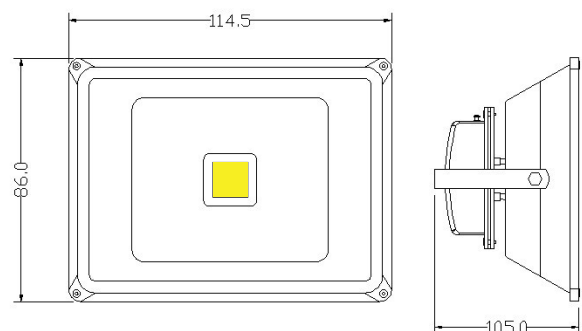
10W LED
Power Factor: 0.98
Colour rendering index: Ra>80
Ambient temperature: -40°C to 50°C
Colour temperature: 5000k
IP Rating: IP65
Weight: 0.8 kg
Dimensions: 114.5 x 86 x 105mm
Instant start up
Cool running temperature
Vibration resistant
Low energy costs
Low maintenance costs
No strobe effect
AC and DC versions
Long life span up to 30,000 hrs



IDEAL FOR:

- Garages and workshops
- Path/walkway lighting
- Tradesman vehicle auxillary lighting

LEDFL09 Dimensions



CAT NO.	Lumens	Power	Supply Voltage	Current*
LEDFL09-10DC**	900	10W	9-30V DC	0.83A
LEDFL09-10AC	900	10W	85 ~ 265V AC	0.04A

* AC Current rating at 230V AC;

**DC Current at 12V DC and is for Battery use only

SDOC is available on our website

20 Neilpark Drive
East Tamaki
Auckland.
NEW ZEALAND
phone: 64 9 272 5619